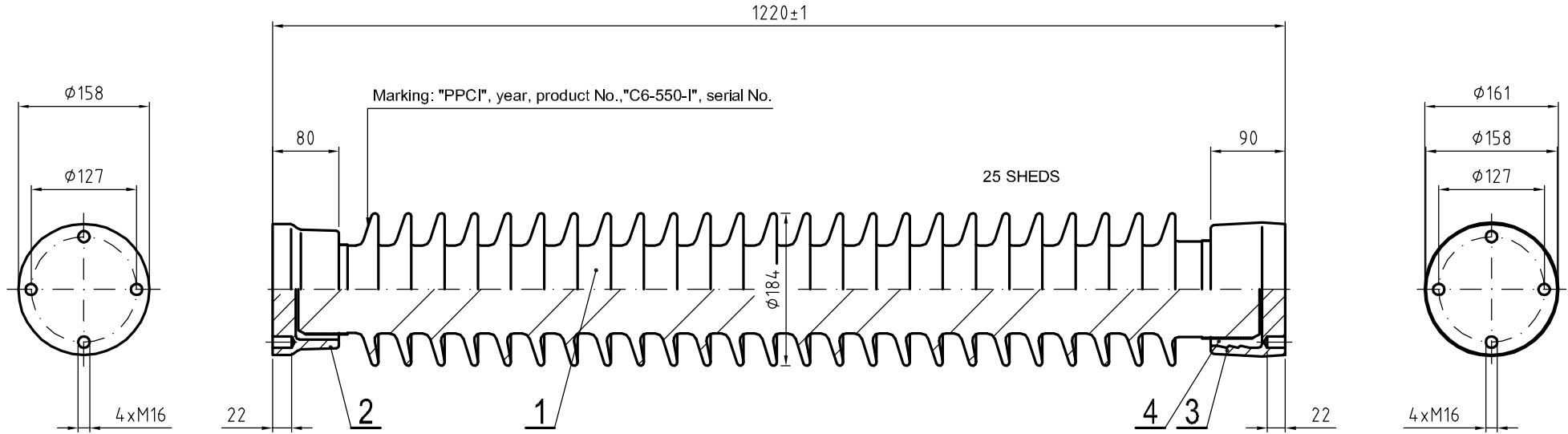
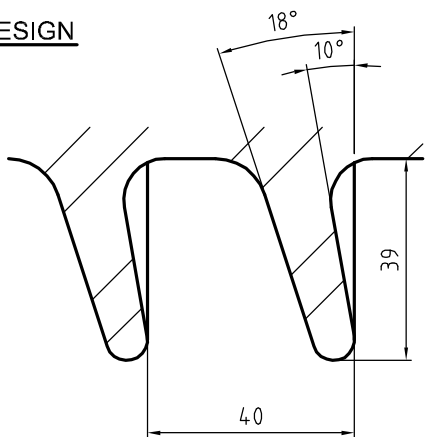



This document must not be copied without our written permission, and the contents thereof must not be imparted to a third party nor be used for any unauthorized purpose. Contravention will be prosecuted.



SHED DESIGN



STANDARDS - IEC 60273, 60168, 60672, 60815
 LIGHTNING IMPULSE WITHSTAND VOLTAGE 550 kV
 POWER-FREQUENCY WITHSTAND VOLTAGE, WET 230 kV
 CREEPAGE DISTANCE - NOMINAL 2655 mm
 - MINIMUM 2550 mm
 MINIMUM FAILING LOAD - BENDING 6 kN
 - TORSION 4 kNm
 MAX. ANGULAR DEVIATION OF FIXING HOLES 1°
 FIXING DEVICE MATERIAL: CAST IRON.
 HOT DIP GALVANIZED
 TESTING ACC. TO IEC 60168, 60273
 MECHANICAL ROUTINE TEST BENDING 4x50%
 APPROXIMATE WEIGHT 49 kg

4	CEMENTING			PORTLAND CEMENT	0.8	
1	3	CAP	K-127-122-111		4.2	
1	2	CAP	K-127-222-111		3.8	
1	1	PORCELAIN	5955 0 P	C-130 IEC 60672	40	
pcs	Pos.	Title	Drawing, standard	Dimension	Material	Weight
Scale (%)	Drawn	Checked	Date	Ref.		
	JANEČEK	ĐURÁK	02.10.2015	K2A66.0		
OUTDOOR POST INSULATOR					 PPC INSULATORS 5955 0 M	
C6 - 550 - I						
				Drwg.no.	Rev.	