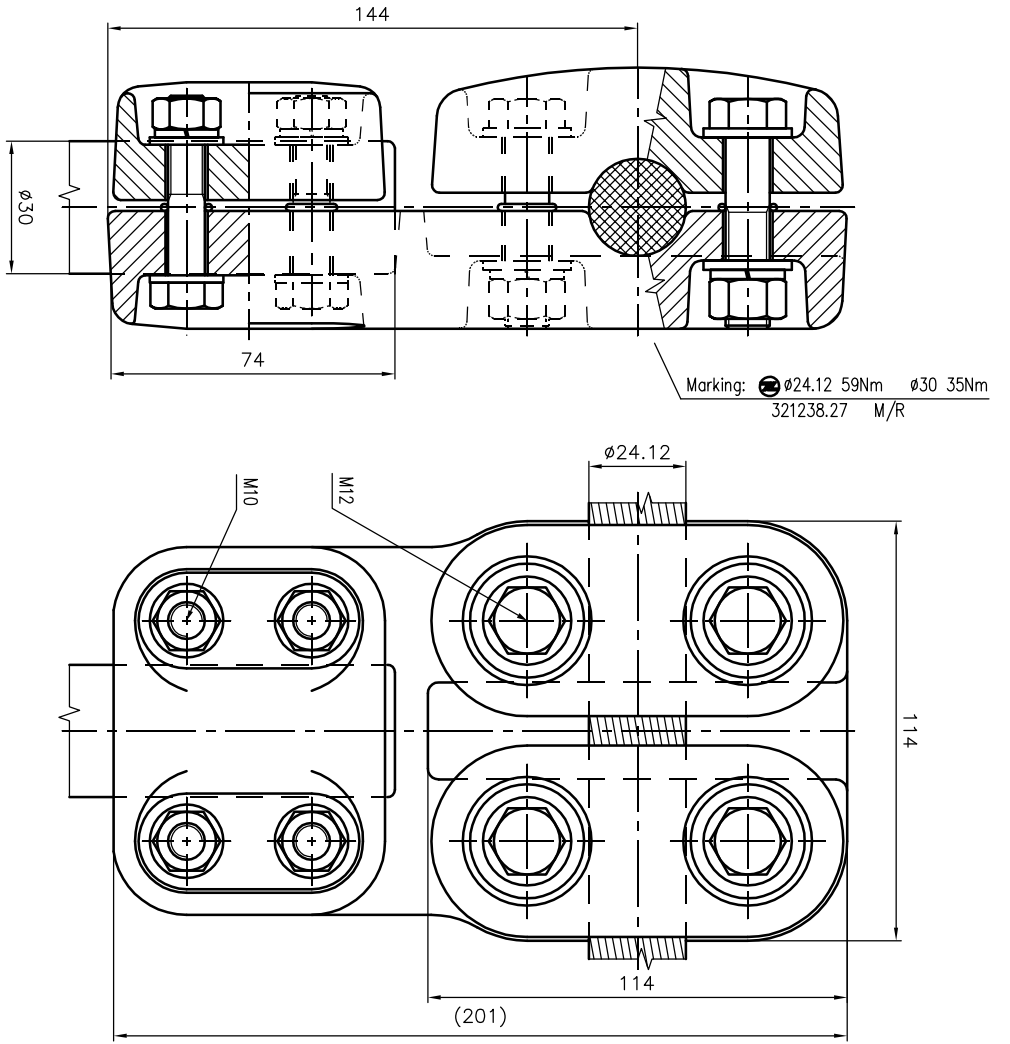
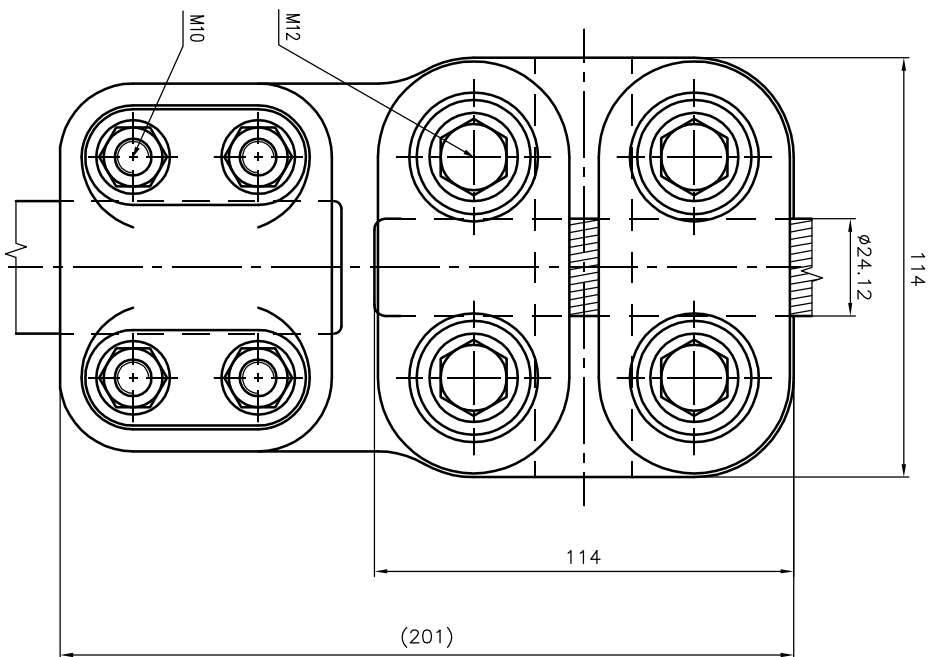


T-clamp



Flat clamp straight



MATERIAL: Aluminium alloy AISiMn
 Joining material stainless steel A2-80
 SURFACING: Grease; Contact paste
 NETT WEIGHT: ~2,80kg

Un / kv 400
 In / A 1200
 Ih / kA1s 40
 CLAMP MARKING:
 TM / Nm 59(M12) 35(M10)
 Bolt diameter ϕ 50, Wire diameter ϕ 24,12
 Type 321238.27

Date	07.07.2017	GAD	ELBA a.s. Kremnica
Issued	Ing. Matúška L.		tel. +421456743241-5, fax +421456742544
Checked	Ing. Gajdoš M.		
Title			
T-clamp/Flat clamp straight			
for ASCR rope ϕ 24,12 mm and Al bolt ϕ 30			
Drawing No		321238.27	
		ELBA	