



## DENSITY MONITOR TESTING DEVICES

For automatic testing of switching points in density monitors

B178R01

### DensiControl DA

The F-gas regulation (EU) 517/2014 stipulates regular verification of density monitors installed in switchgear. The DensiControl DA allows quick checking to see whether the density monitor switching points are triggered in time.

This device allows precise, quick and easy verification of the switching points. The density monitor to be tested is mounted onto the device by means of a quick clamping device or a plug-in coupling (depending on the connection). After starting the measurement the pressure is automatically increased to filling pressure, the switching points are activated and recorded. The switching points can be stored in the system with serial number and temperature indication allowing a data file to be produced for documentation.



Exemplary construction, the connecting parts are **not** included in the scope of supply



Mechanical connection

- Automatic test process
- Simple installation and removal of the density monitors by quick clamps
- Easy handling and menu navigation via capacitive colour touch panel (7")
- Storage of 50 density monitor types with their corresponding switching points
- Storage of up to 200 measuring results
- Data transmission to USB stick and data output as a test report
- Indicating pressure units can be selected
- Adjustable user languages: DE, GB and FR
- Trolley for comfortable transportation
- Optional remote control via mobile devices



## DENSITY MONITOR TESTING DEVICES



B178R01

### DensiControl DA

#### Technical Data:

Dimensions: L 406 mm, W 538 mm, H 269 mm
Weight: 17 kg
Operating temperature: 0 °C to +45 °C
Operating voltage: 100 - 240 V / 50 - 60 Hz
Mains fuse: 2 x 3.15 A/T (time delay)
Number of density monitors to be stored: max. 50
Number of measuring values to be stored: max. 200
Interface: USB and Ethernet
Automatic measuring process
Pressure indication in bar pa / pe, kPa pa / pe, psi pa / pe, MPa pa / pe
Accuracy of the pressure sensor (0 - 50 °C): ≤ 0.1 % FS

#### Standard equipment:

Transport case
Basic device with test vessel and adapter plate with quick coupling
5-measuring point certificate for pressure sensor
USB stick with file for evaluating and reading out the measuring data
Operating manual

#### Optional accessories at an extra charge:

Different connecting sets are available on request	
Remote control via mobile devices	K176R11
Kit for remote control router	K176R21
Kit for remote control router with extended functions	On request
Additional operating manual	6-0004-R213

#### Mechanical and electrical connections at an extra charge:

Test kit for density monitor with square flange 80 mm	B178R01-01V1
Test kit for density monitor with 2 hole flange	B178R01-02V1
Test kit for density monitor with flange Ø 40 mm	B178R01-03V1
Plug-in adapter for density monitor with DILO coupling tongue part DN20	6-1161-R039
Plug-in adapter for density monitor with DILO coupling tongue part DN8	6-1161-R038
Plug-in adapter for density monitor with ASEA connection	6-1161-R040
Plug-in adapter for density monitor with G1/2" gauge union	6-1161-R041
Other connecting kits are available on request	
Connecting cable kit	B178R01-84

#### Packing:

Packing for B178R01	3-775-R104
---------------------	------------



# DENSITY MONITOR TESTING DEVICES



B178R01

**DensiControl DA**

Gas connection of density monitor	Required test kit / adapter
	B178R01-01V1
	B178R01-02V1
	B178R01-03V1

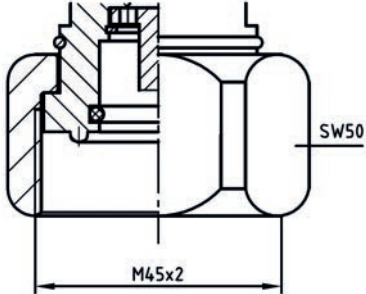
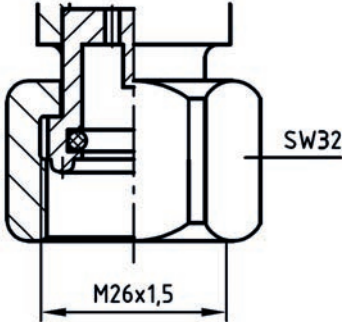
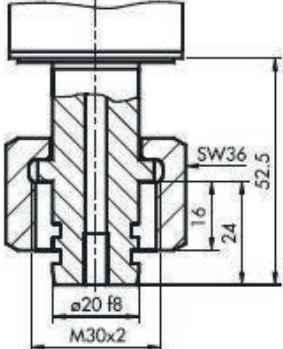
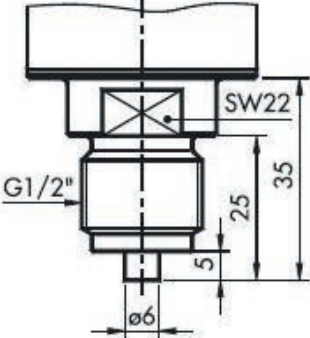


# DENSITY MONITOR TESTING DEVICES



B178R01

**DensiControl DA**

Gas connection of density monitor	Required test kit / adapter
	6-1161-R039
	6-1161-R038
	6-1161-R040
	6-1161-R041

