

# ENERGY

## TENSOREX C+ 3D PRODUCT DATA SHEET 000 300 507



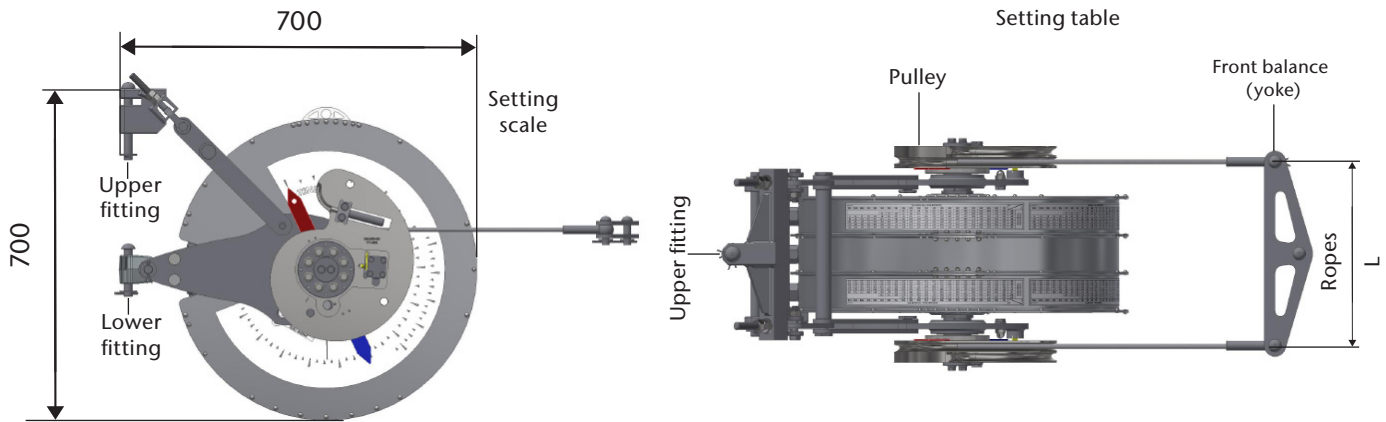
Mosdorfer Rail S.R.L.  
Via A. Grandi 46  
20017 Rho (MI) - Italy  
Phone +39 02 6408 8142  
inforail.IT@mosdorfer.com

Mosdorfer Upresa Rail S.A.U.  
C/Emporda 7 Pol. Ind. Congost  
08403 Granollers - Spain  
Phone +34 938 400 365  
mosdorfer.upresa@mosdorfer.com

Mosdorfer Rail Ltd  
2-4 Orgreave Place, Orgreave  
Sheffield S13 9LU - UK  
Phone +44 114 3878370  
OrdersRailUK@mosdorfer.com



## Technical data



Size	Springs	Drawing	Range of compensation capacity [mm]	Range of pull value [Kg]	Weight [Kg]	L [mm]
TRC+ 2SL	11 x 60 SL	000700718	1250 to 1350	1000 to 900	190	269,6
TRC+ 3SL	11 x 60 SL	000700717	1400 to 1300	1100 to 1500	245	339,6
TRC+ 4SL	11 x 60 SL	000700715	1350 to 1275	1680 to 2000	280	409,6
TRC+ 5SL	11 x 60 SL	000700716	1350 to 840	1985 to 3630	360	481,8

\*) Please note, that **not all** combinations of pull value and compensation capacity are possible due to technical limitations. For more details, please contact your local MOSDORFER office or search in our online-catalogue for available variants: <https://www.mosdorfer.com/en/produkte/railway/>



Each TENSOREX C+ has a fixed combination of compensation capacity and pull value. Each of them is identified by article number and variant code.

Minimum breaking load:	115 KN
Standard corrosion protection:	H.D.G.EN 1461 (2009)
IP protection:	IP20 EN ISO/IEC 17025:2005 and CEI EN 60529:1997 + A1:2000
Corrosion protection test:	1000 hours salt spray EN ISO 9227 (2006)
Standard pull tolerance:	+6% to -4%
Service temperature:	-40°C to +70°C (-40°F to +158°F)
Standard cover colour:	RAL 7040
Storage:	2 years -10°C to +40°C in dry place and dust-free conditions (preferable indoor) Relative humidity 85%. Max 3 crates on top of each other – observe symbols on the crate